

Jet Nozzle Diffuser



Description The LinkedAir jet nozzle diffusers are designed for supply air application that requires a long throw with high air velocity, supply large amount of conditioned air into one space. They can be easily adjusted to any throw direction with 360° rotation. They can easily mount to the round ducts, and they have low pressure losses and low noise levels.

Construction Extruded Aluminium and Mechanical Held

Application Supply Air / Exhaust Air

Size Flange Size: 30 mm

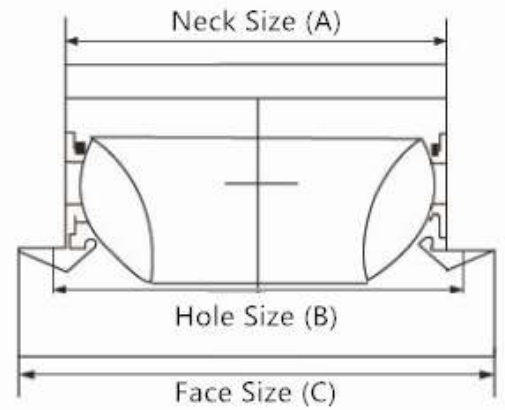
Standard Size

Neck Size (A) mm	Hole Size (B) mm	Face Size (C) mm
Ø 150	Ø 170	Ø 210
Ø 200	Ø 220	Ø 260
Ø 250	Ø 270	Ø 310
Ø 315	Ø 345	Ø 375
Ø 400	Ø 430	Ø 460
Ø 630	Ø 660	Ø 690

Finish White (Powdercoated)

Options

Colour
Natural Anodised Dulux Range



Neck Size (mm)	NECK AIR VELOCITY (m/s)	1	2	3	4	5	6	7	8	9	10
150	AIR FLOW RATE (l/s)	20	39	59	78	98	118	137	157	176	196
	Face VELOCITY (m/s)	4	7	11	15	18	22	26	30	33	37
	Total Pressure (Pa)	7	28	59	105	163	235	323	425	543	675
	THROW (m)	4	5.1	7.6	9.9	10.8	11.8	13.9	16.1	17.7	19.9
	NR LEVEL	—	—	21	25	30	34	39	45	51	57
200	AIR FLOW RATE (l/s)	31	62	93	120	154	185	216	246	277	308
	Face VELOCITY (m/s)	4	8	12	16	20	24	29	33	37	41
	Total Pressure (Pa)	7	28	59	105	163	235	323	425	543	675
	THROW (m)	4.2	6.8	9.1	11.3	12.7	14.1	17	19.1	21.2	24
	NR LEVEL	—	—	22	26	31	35	40	46	52	59
250	AIR FLOW RATE (l/s)	48	97	145	193	241	290	338	386	432	483
	Face VELOCITY (m/s)	3	7	10	13	17	20	23	27	30	33
	Total Pressure (Pa)	7	28	59	105	163	235	323	425	543	675
	THROW (m)	5.1	8.5	11.5	14.2	16	17.8	20.5	24	26.7	29.3
	NR LEVEL	—	—	23	27	32	37	42	48	53	61
315	AIR FLOW RATE (l/s)	77	154	231	308	385	462	539	616	693	769
	Face VELOCITY (m/s)	3	6	10	13	16	19	23	26	29	32
	Total Pressure (Pa)	6	24	51	90	145	208	280	366	478	573
	THROW (m)	5	8.5	13.4	16.4	18.7	21.1	25.5	28.9	32.2	35.3
	NR LEVEL	—	21	25	29	33	38	43	50	55	63
400	AIR FLOW RATE (l/s)	194	389	583	778	972	1167	1361	1556	1750	1944
	Face VELOCITY (m/s)	3	6	9	12	15	18	21	24	27	30
	Total Pressure (Pa)	6	25	55	95	150	218	300	380	495	605
	THROW (m)	7.2	12	18.5	35	39	44	49	55	65	72
	NR LEVEL	21	24	29	34	39	44	50	56	62	70
630	AIR FLOW RATE (l/s)	311	622	933	1244	1556	1867	—	—	—	—
	Face VELOCITY (m/s)	3.5	7	10.5	14	17.5	21	—	—	—	—
	Total Pressure (Pa)	10	38	86	154	230	325	—	—	—	—
	THROW (m)	15	24	31	37	45	50	—	—	—	—
	NR LEVEL	22	31	37	44	50	54	—	—	—	—

- All performance data below is based on the grilles mounted 300mm below a ceiling, with a floor height of 2.7 meters and supply 10°C below room temperature.
- **NOISE LEVEL** Noise data is based on a room absorption of 8db and measured at 0°.
- **Throws** are the horizontal throw distance in meters from the supply air grille to that point at which the airflow envelope has a terminal velocity of 0.25m/s. Correction factors below should be used upon other than 0°.